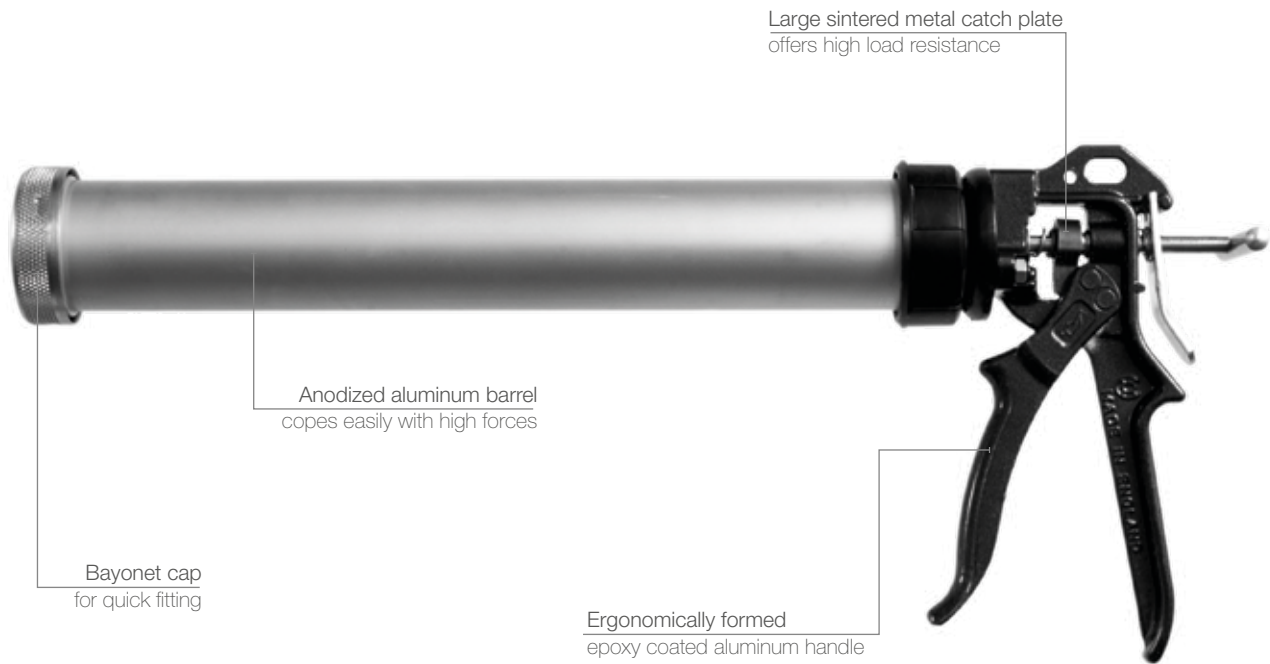




COX™ 1-Component Dispenser

UltraFlow™ Bulk

A 1-component manual bead dispenser for 600/1000mL bulk material.



Model shown: UltraFlow Bulk 600mL

Product advantages

- Ergonomically formed epoxy coated aluminum handle
- Bayonet cap for quick fitting
- Anodized aluminum barrel copes easily with high forces
- Large sintered metal catch plate offers high load resistance
- Warranty up to 2 years*

Customer benefits

- Sintered alloy catch plate, hardened rod and Wear Compensation Device (WCD).
- Plated metal parts increase corrosion resistance
- Powerful 25:1 trigger ratio for easy application
- Gives you long worry free performance

Applications

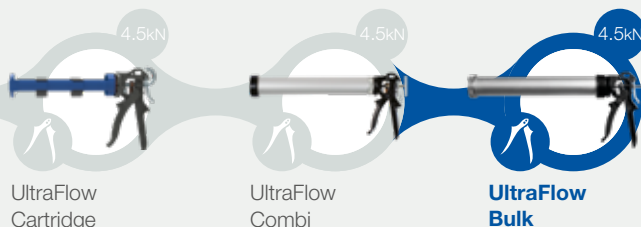


Sealing



Bonding

Product by range



*effective: July 2018

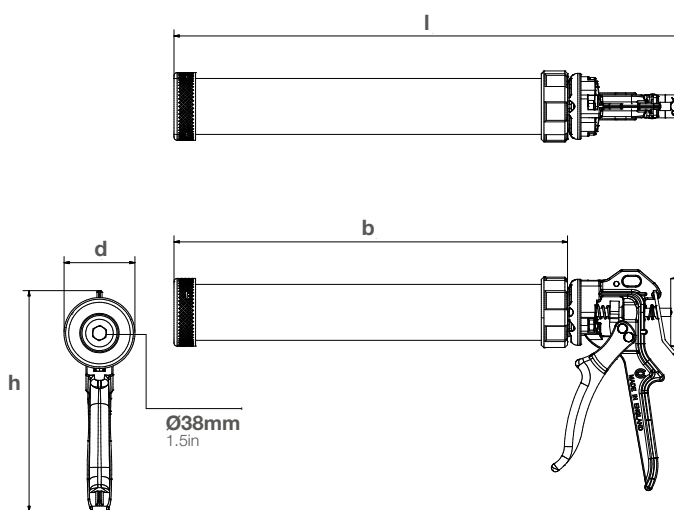
The **COX UltraFlow Bulk** is part of a range of high-powered manual dispensers. Designed for use with medium to high viscosity sealants and adhesives.

Specifications

- Weight: 1.1-1.3kg / 2.4-2.9lbs
- Barrel Length: 380mm-537mm / 9.3in-21.1in
- Maximum Thrust: 4.5kN
- Handle Material: Epoxy Coated Aluminum
- Barrel Material: Anodized Aluminum
- Tool Component Approvals: REACH
- Bulk Material Capacity: 600mL (20.3oz), 1000mL (33.8oz)
- Mechanical Advantage Ratio: (25:1)
- Standard Color: Black/Grey
- Nozzle Dimension: \varnothing 38mm / 1.5in
- Customized versions on demand

Dimensions (mm/in)

product	height (h)	length (l)	depth (d)	barrel (b)
Bulk 600	213 /8.4	490 /19.3	69 /2.7	380 /9.3
Bulk 1000	213 /8.4	650 /25.6	69 /2.7	537 /21.1



Part number:

Bulk 600
Bulk 1000

Article number:

BM4250X
BM5250X

Packaging:

1 per Box
1 or 10 per Box

Matching MIXPAC™ cartridges

Compatible cartridges

Conversion kits

Matching accessories

Ladder Hook Kit / White Cone / Yellow Cone
on pages 90-95.