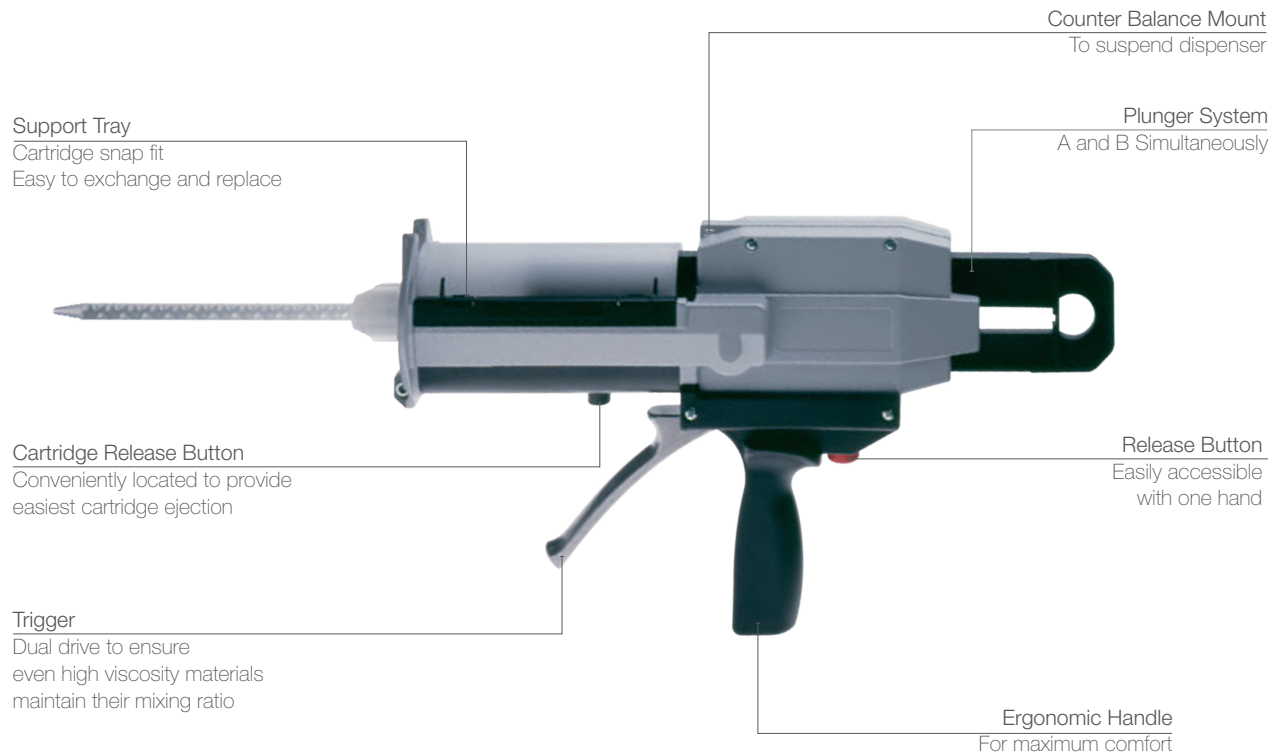




MIXPAC™ 2-Component Dispenser

MIXPAC™ DM 200

A manual dispenser for C and F-System cartridges.



Product advantages

- Designed specifically for Mixpac C and F System Cartridges
- Cartridge snap fit
- High gear ratio
- One-hand-operation
- Long-life technology
- Warranty up to 2 years*

Customer benefits

- Easy cartridge positioning and fixation
- Ergonomic
- High precision and dispensing accuracy
- Can easily be converted into different ratios with proper plunger
- Gives you long worry free performance

Applications



Bonding



Sealing



Repair

Product by range



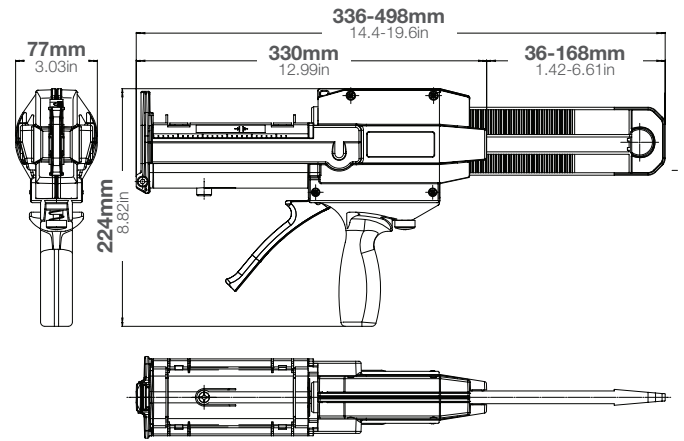
*effective: July 2018

The MIXPAC™ DM 200 - designed to provide reliable 2-component dispensing.

Specifications

- Weight 1.35kg / 2.98lbs
- Length: 366mm / 14.4in
- Maximum Thrust: 5.2kN (520kg), 3.7mm stroke
- Tool material: cast aluminium and reinforced nylon
- Cartridge capacity: 200mL
- Cartridge ratio: 1:1/2:1/4:1/10:1

Dimensions



Part number:	Article number:	Ratio			
		1:1	2:1	4:1	10:1
DM 200-01	114413	✓	✓		
DM 200-04	114425			✓	
DM 200-10	114535				✓

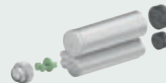
Packaging:

Packed individually 1 units per master carton

Matching MIXPAC™ side-by-side cartridges



C-System / F-System
200mL / 1:1 PP/PA



C-System / F-System
200mL / 2:1 PP/PA

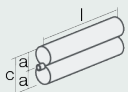


C-System / F-System
200mL / 4:1 PP/PBT



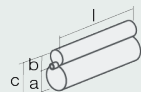
C-System / F-System
200mL / 10:1 PP/PBT

Other matching cartridges



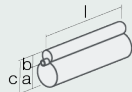
Plastic Cartridge
200mL / 1:1 PP/PA

1:1	mm	inch
l	148	5.83
a	Ø 37	Ø 1.46
c	79	7.04



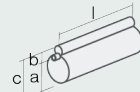
Plastic Cartridge
200mL / 2:1 PP/PA

2:1	mm	inch
l	148	5.83
a	Ø 50	Ø 1.97
b	Ø 31	Ø 1.22
c	81	3.19



Plastic Cartridge
200mL / 4:1 PP/PA

4:1	mm	inch
l	148	5.83
a	Ø 49	Ø 1.93
b	Ø 25	Ø 0.98
c	77	3.03



Plastic Cartridge
200mL / 10:1 PP/PA

10:1	mm	inch
l	148	5.83
a	Ø 55	Ø 2.17
b	Ø 19	Ø 0.75
c	78	3.07

Conversion kits

CK 200-01, CK 200-04, CK 200-10, See page 22.

Matching accessories

All accessories are displayed on page 22.