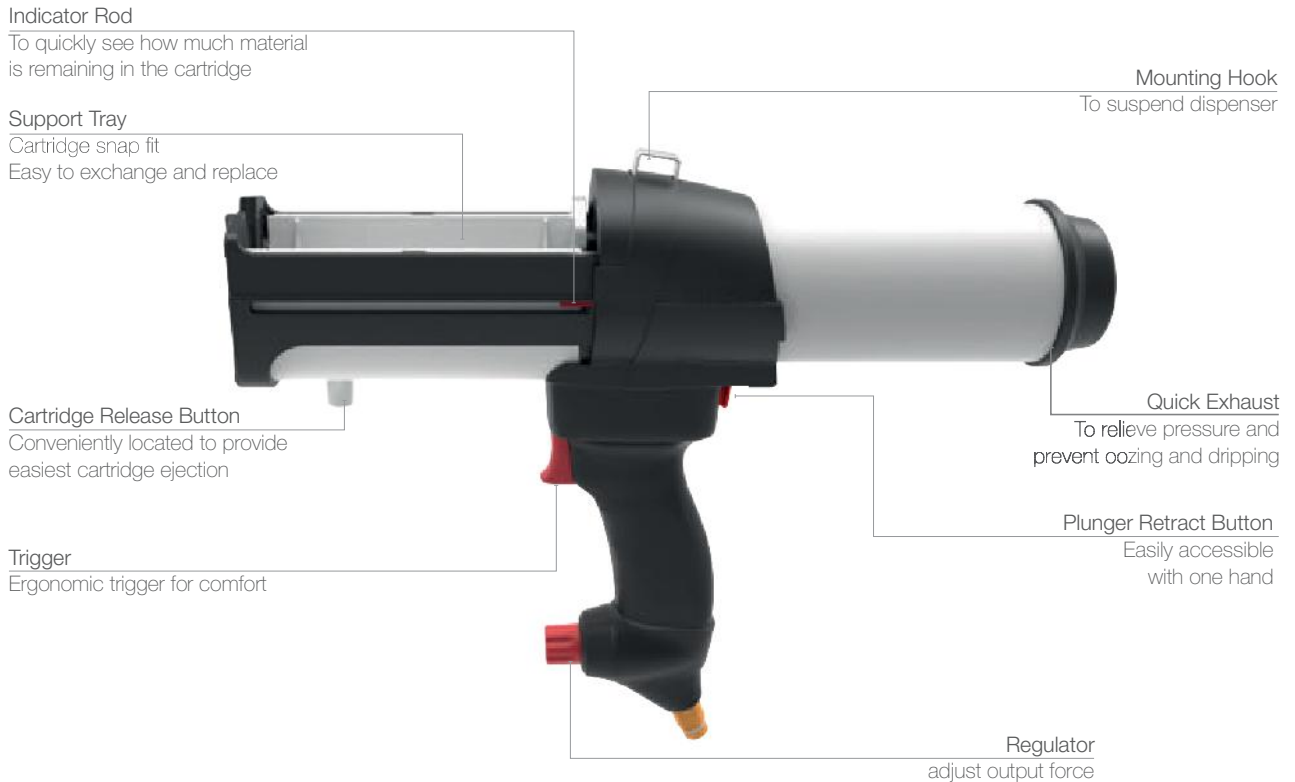




MIXPAC™ 2-Component Dispenser

MIXPAC™ DP2X 200

A pneumatic operated dispenser for 200mL cartridges.



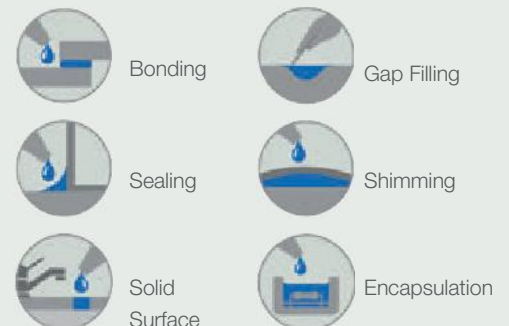
Product advantages

- Designed specifically for Mixpac C and F System Cartridges
- Cartridge snap fit
- Controls accessible with one hand
- Integrated anti-drip feature
- Warranty up to 2 years*

Customer benefits

- Easy cartridge positioning and fixation
- Ergonomic
- High precision and dispensing accuracy
- Can easily be converted into all ratios with proper conversion kits
- Gives you long worry free performance

Applications



Product by range



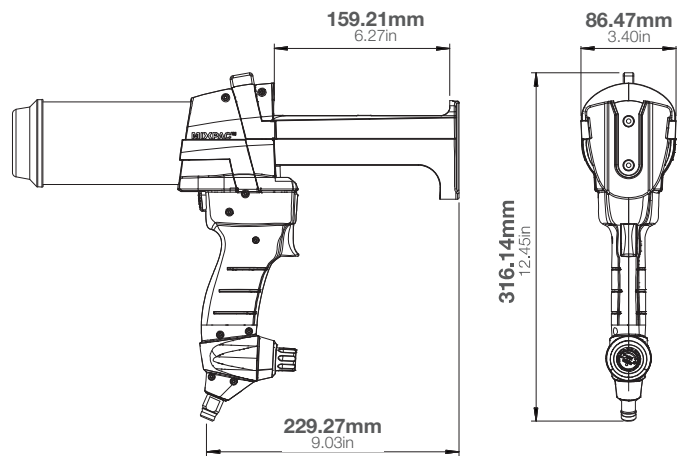
*effective: July 2018

The DP2X 200 - dispensing accuracy with full comfort.

Specifications

- Weight 1.76kg / 3.87lbs
- Length: 406mm / 15.8in
- Maximum Thrust: 2.5kN
- Tool material: cast aluminium and reinforced nylon
- Cartridge capacity: 200mL
- Cartridge ratio: 1:1 / 2:1 / 4:1 / 10:1
- Air inlet: 1/4in NPT
- Max operating pressure: 6.8 bar

Dimensions



Packaging:

Packed individually 1 unit per master carton

Part number:	Article number:	Ratio			
		1:1	2:1	4:1	10:1
DP2X 200-01-25-01	165860	✓	✓		
DP2X 200-04-25-01	165861			✓	
DP2X 200-10-25-01	165862				✓

Matching MIXPAC™ side-by-side cartridges



C-System / F-System
200mL / 1:1 PP/PA



C-System / F-System
200mL / 2:1 PP/PA

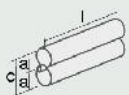


C-System / F-System
200mL / 4:1 PP/PBT

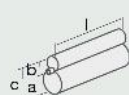


C-System / F-System
200mL / 10:1 PP/PBT

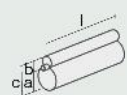
Other matching cartridges



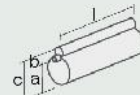
Plastic Cartridge
200mL / 1:1 PP/PA



Plastic Cartridge
200mL / 2:1 PP/PA



Plastic Cartridge
200mL / 4:1 PP/PA



Plastic Cartridge
200mL / 10:1 PP/PA

Ratio	mm	inch	mm	inch	mm	inch	mm	inch						
1:1	l	148	5.83	2:1	l	148	5.83	4:1	l	148	5.83			
	a	Ø 37	Ø 1.46		a	Ø 50	Ø 1.97		a	Ø 49	Ø 1.93			
	c	79	7.04		b	Ø 31	Ø 1.22		b	Ø 25	Ø 0.98			
2:1	c	81	3.19	4:1	c	77	3.03	10:1	l	148	5.83			
												a	Ø 55	Ø 2.17
												b	Ø 19	Ø 0.75
4:1	c	78	3.07	10:1	c	78	3.07	10:1	l	148	5.83			
												a	Ø 55	Ø 2.17
												b	Ø 19	Ø 0.75

Conversion kits

CKX 200-01-01, CKX 200-04-01, CKX 200-10-01

Matching accessories

All accessories are displayed on page 22.