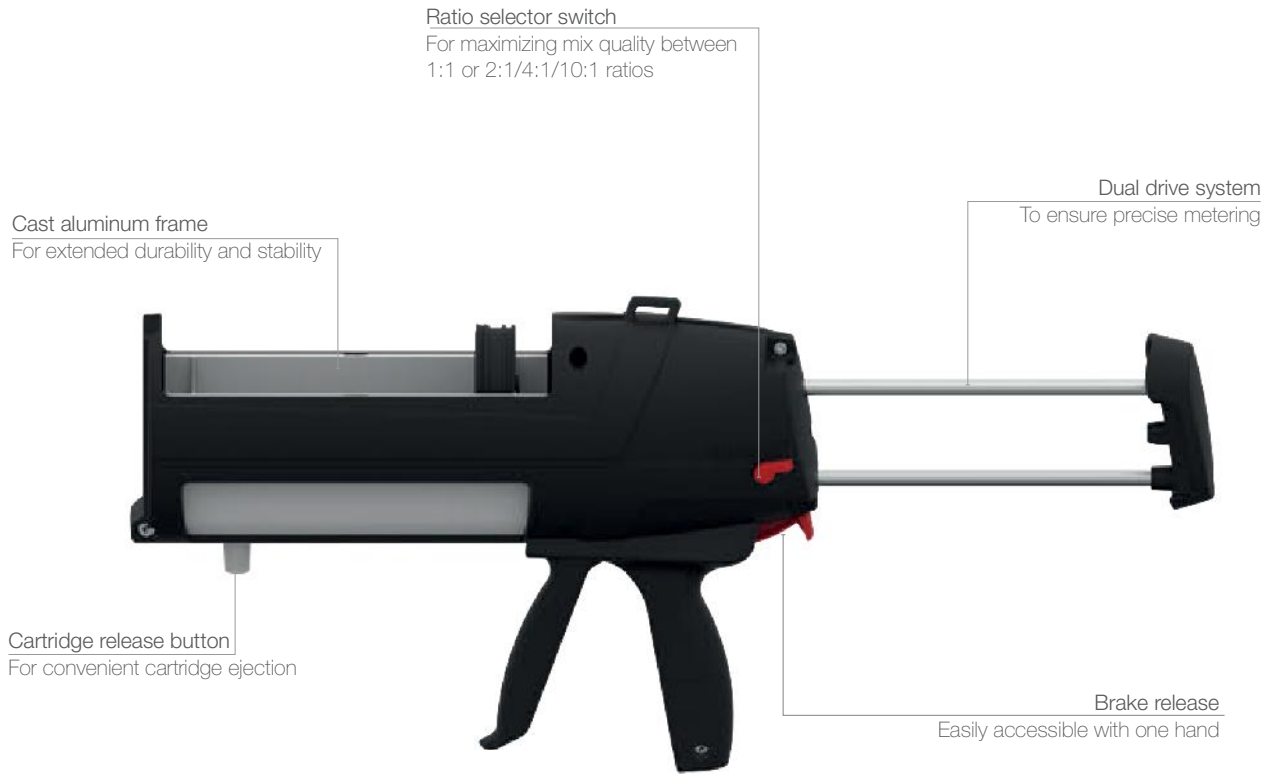




MIXPAC™ DM2X 400

400mL Cartridge Dispenser



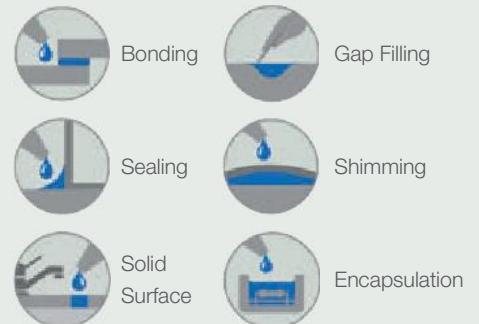
Features

- Universal conversion kits with interchangeable cartridge trays and plungers
- High thrust ratio
- Ergonomically designed

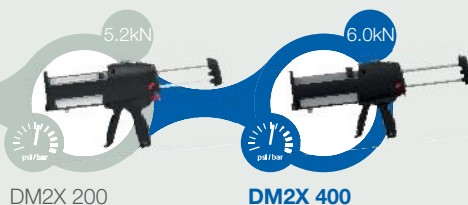
Benefits

- Quick ratio exchange and use with DM2X and DP2X tools
- Easy to dispense high viscosity products
- Maximum comfort and fatigue-free operation

Applications



Product by range

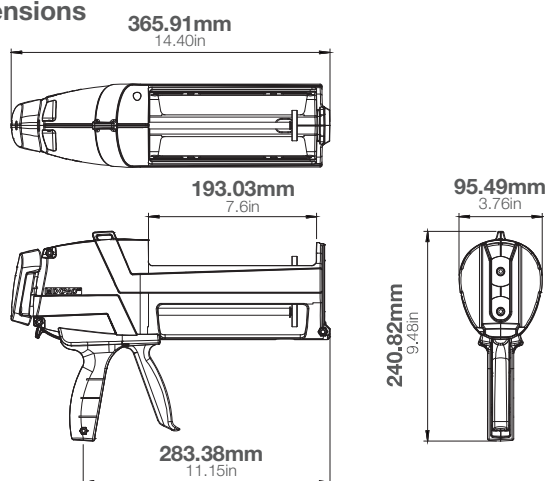


The **DM2X 400** is a manual dispenser for accurate metering with precise and consistent results.

Specifications

- Weight: 1.93kg / 4.24lbs
- Length: 366mm / 14.4in
- Maximum thrust: 6.0kN
- Thrust ratio: 35:1
- Tool material: cast aluminum
- Cartridge capacity: 400mL
- Cartridge ratio: 1:1/2:1/4:1/10:1

Dimensions



Packaging:

Packed individually 1 unit per master carton

Part number:	Article number:	Ratio			
		1:1	2:1	4:1	10:1
DM2X 400-01-60-01	165807	✓	✓		
DM2X 400-04-60-01	165808			✓	
DM2X 400-10-60-01	165809				✓

Matching MIXPAC™ side-by-side cartridges

C-System / F-System



C-System / F-System
400mL / 1:1 PP/PA/PBT



C-System / F-System / BlueLine
400mL / 2:1 PP/PA



C-System / F-System
400mL / 4:1 PP/PBT



C-System / F-System / BlueLine
400mL / 10:1 PP/PBT

Conversion kits

CKX 400-01-01, CKX 400-04-01, CKX 400-10-01

Matching accessories

All accessories are displayed on page page 16.