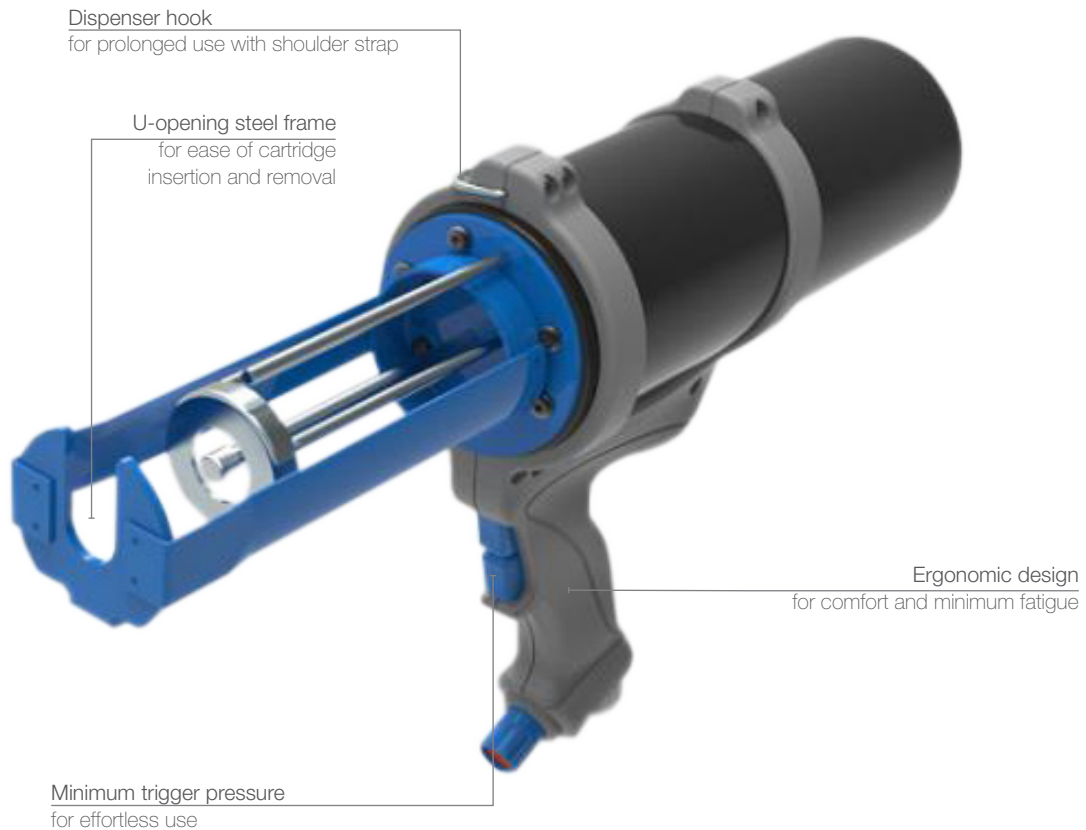




# COX™ 2-Component Dispenser

## AirFlow™ 3 CCA 380A

A 2-component pneumatic dispenser for 380mL cartridges.



Model shown: AirFlow 3 CCA 380A 380mL

### Product advantages

- Air return as standard
- Minimum trigger pressure
- U-opening steel frame
- Quick exhaust valve
- Warranty up to 2 years\*

### Customer benefits

- Fast, accurate and effortless application
- For effortless use and minimum fatigue
- Ease of cartridge insertion and removal
- Prevents run-on
- Gives you long worry free performance

### Applications



Bonding



Chemical Anchoring

### Product by range



AirFlow 3  
CCA 380A



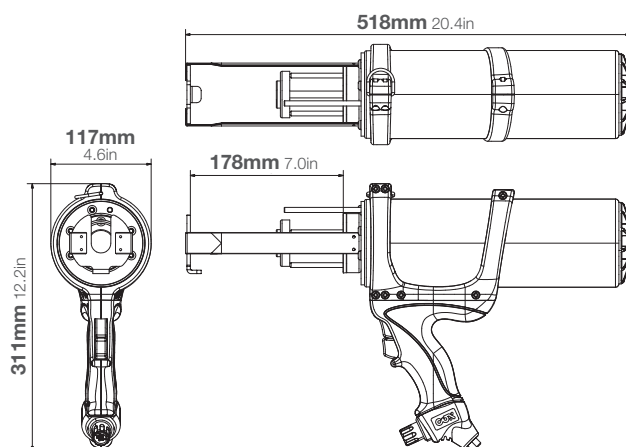
AirFlow 1  
CCA 380B

The **AirFlow 3 CCA 380A** is part of a range of pneumatic dispensers, designed for use with medium to high viscosity sealants and adhesives.

### Specifications

- Weight: 2.5kg / 5.5lbs
- Frame Length: 178mm / 7.0in
- Maximum Thrust: 5kN
- Maximum Pneumatic Pressure: 6.8bar / 100psi
- Air Consumption: 40 litres/min
- Handle Material: Glass filled nylon
- Frame Material: Steel
- Tool Component Approvals: CE, REACH
- Cartridge Capacity: 380mL (13.4oz)
- Cartridge Ratio: 1:1, 10:1
- Viscosity: Medium/High
- Standard Color: Black/Blue
- Customized versions on demand

### Dimensions



### Part number:

A380HP/1 (US)  
A380HP/10 (US)

### Article number:

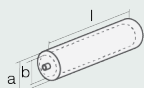
SW3001R (1:1)  
SW3010R (10:1)

### Packaging:

1 per Box  
1 per Box

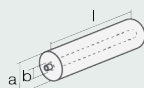
### Matching MIXPAC™ cartridges

### Compatible coaxial cartridges



Plastic Cartridge  
380mL / 1:1 PP/PA

1:1	mm	inch
l	183.0	7.2
a	Ø63.0	Ø2.48
b	Ø41.0	Ø1.61



Plastic Cartridge  
380mL / 10:1 PP/PA

10:1	mm	inch
l	183.0	7.2
a	Ø63.0	Ø2.5
b	Ø18.0	Ø0.71

### Conversion kits

### Matching accessories