



# MK™ 2-Component Dispenser

## TS408 EM

A 2-component pneumatic bead dispenser for 50mL cartridges.

Quick cartridge exchange for efficient working



Simple dispensing one hand speed adjustment

Reinforced nylon handle compact and lightweight

Model shown: TS408 EM 50mL

### Product advantages

- Quick cartridge exchange
- One hand pressure adjustment
- Anti-drip function
- Reinforced nylon handle
- Warranty up to 2 years\*

### Customer benefits

- For efficient working
- Simple dispensing, effective working
- Clean application
- Compact and lightweight
- Gives you long worry free performance

### Applications



Bonding

### Product by range

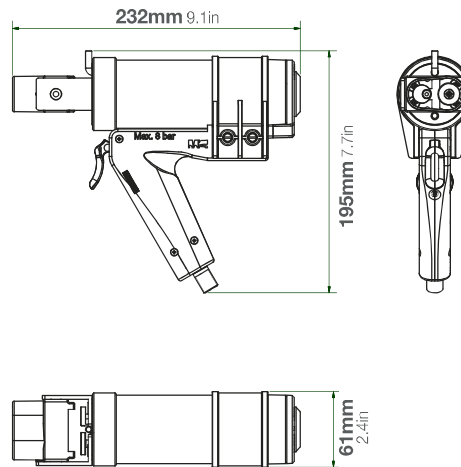


The **MK TS408 EM** is part of a range of pneumatic dispensers. Designed for use with high viscosity sealants and adhesives.

### Specifications

- Lightweight: 0.73kg / 1.6lbs
- Dispenser Length: 232mm / 9.1in
- Maximum Thrust: 1.3kN
- Maximum Pneumatic Pressure: 8bar / 116psi
- Air Consumption: 40 litres/min
- Handle Material: Reinforced Nylon
- Cartridge Holder Material: Reinforced Nylon
- Tool Component Approvals: CE
- Cartridge Capacity: 50mL (1.8oz)
- Cartridge Ratio: 1:1, 2:1, 3:2
- Standard Color: Black
- Customized versions on demand

### Dimensions



**Part number:**  
DP2 50-16-200

**Article number:**  
151781

**Packaging:**  
1 per Box

### Matching MIXPAC™ side-by-side cartridges



**A-System**  
50mL / 1:1 PP/PA



**B-System**  
50mL / 1:1 PP/PA

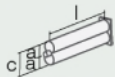


**A-System**  
50mL / 2:1 PP/PA



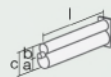
**BS-System**  
50mL / 3:2 PP

### Compatible cartridges



**Rectangular Flange Cartridge**  
50mL / 1:1 PP / PBT

1:1	mm	inch
l	99.7	3.93
a	Ø21.0	Ø0.83
c	46.0	1.81



**Rectangular Flange Cartridge**  
50mL / 2:1 PP / PBT

2:1	mm	inch
l	108.5	4.27
a	Ø25.0	Ø0.89
b	Ø18.0	Ø0.71
c	46.0	1.81

### Conversion kits

### Matching accessories